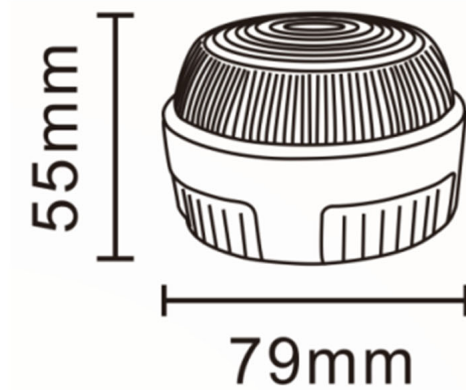


FLT 241 BEACON

(VSWD-FLT241-A)

FLT Micro 241 Beacon Amber 20SMD 10-110v R10
Also available in Blue LED



Product Code	Dimensions(mm)	Net Weight (KG)
VSWD-FLT241-A	81x81x55	0.12

TECHNICAL SPECIFICATIONS

Operating Voltage	10-110v
Approval	ECE R10
Base Types	2 Bolt
Light Colour	Amber
Output	20 SMD
No Flash Pattern	Quad Flash
Warranty (Years)	2
Master Carton Qty	30

0113 4575540
SALES@VSWD-LTD.CO.UK

